

Kaiser Permanente
Santa Rosa, CA, USA

Project Data Sheet

NOVUM



Specifications

Project: Kaiser Permanente
Application: Canopy
Location: Santa Rosa, CA, USA
Size: 1,080 ft² / 100 m²
Architect: TLCD Architecture

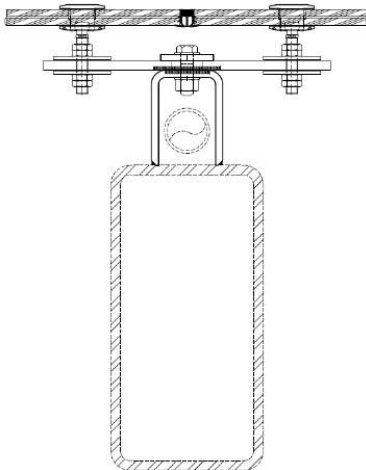
Novum Systems

Structural

The steel for this structure consisted of rectangular steel tubes. Novum field welded custom steel U-brackets to the rectangular steel tubes for the attachment of the glazing arms. The U-brackets are welded to the steel tubes, and then the glazing arms are bolted to the U-brackets. These U-brackets were sized to raise the glazing high enough above the steel that the sprinkler system could be concealed between the glass and the steel.

Glazing

PSG: The canopies are clad with low iron laminated glass and a nearly opaque white PVB interlayer. The glass is supported by stainless steel point supports that attach back to the structure via custom 4-arm stainless steel spiders. The spiders were carefully designed to accommodate the seismic movement of the canopy and ensure lateral forces were not imposed on the glazing in the event of an earthquake.



Design Solution

Novum provided the glass and fittings for this simple, yet modern canopy at the entrance to a new office building in Santa Rosa, CA. The sparkling white glazing was achieved by using extra clear low iron glass with a white interlayer. To complete the desired clean aesthetic, Novum coordinated with other trades to ensure that the sprinkler system could be threaded through the glazing arm attachment brackets and hidden above the steel. A truly stunning architectural addition to the Kaiser Permanente family of medical centers.

