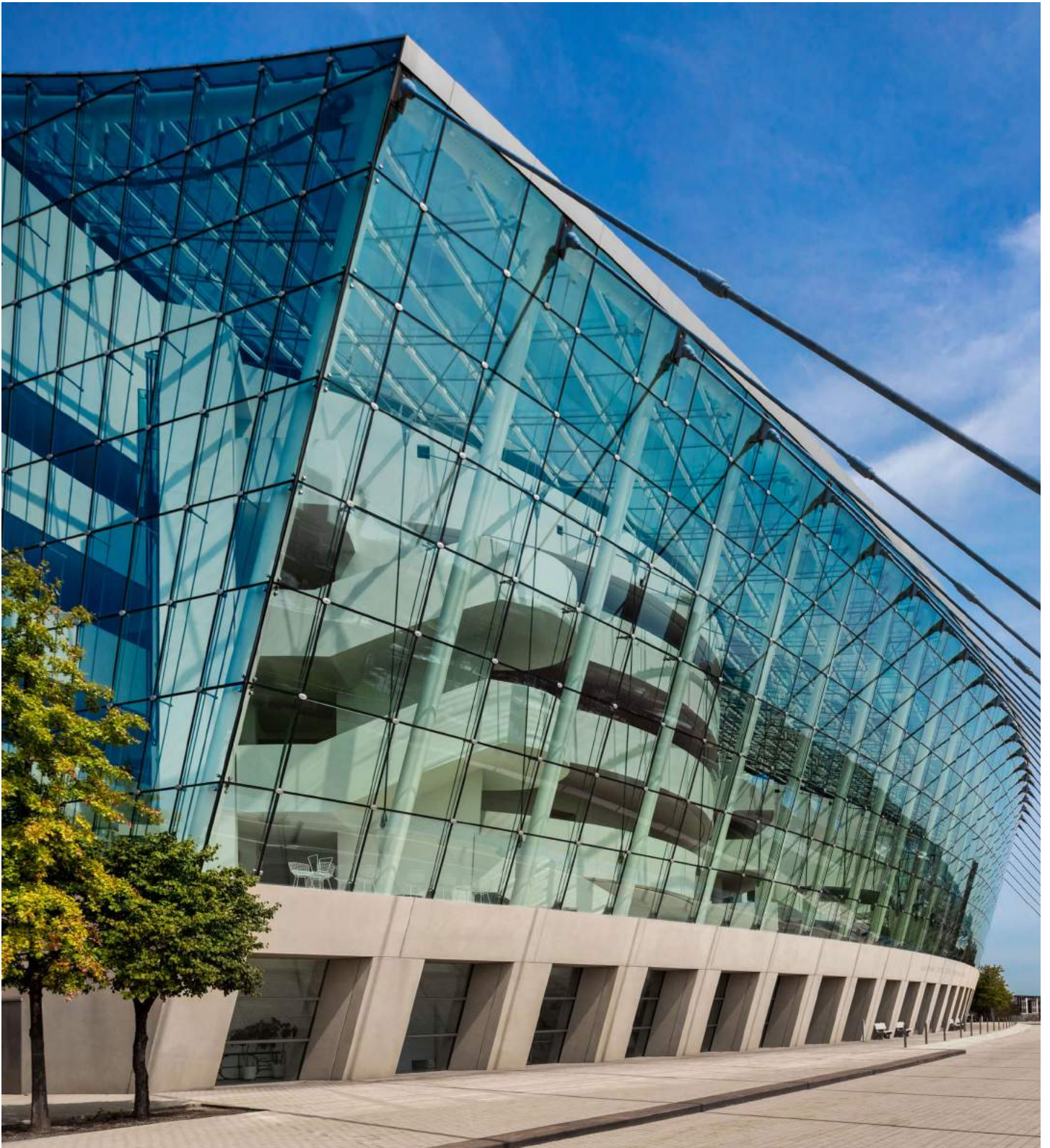


**Kauffman Center for the
Performing Arts**
Kansas City, Missouri, USA

Project Data Sheet

NOVUM



Specifications

Project: Kauffman Center
Application: Atrium
Location: Kansas City, MO, USA
Size: 55,200 ft² / 5130 m²
Architect: Moshe Safdie

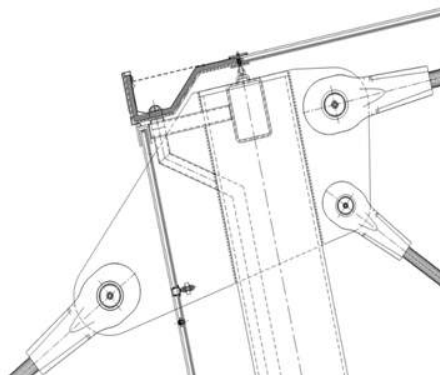
Novum Systems

Structural

AES + TC + TR: This project consists of a glazed façade and skylight forming an atrium that is elliptical in plan. The structural system consists of a series of horizontal cable trusses with a network of tension rods, lateral purlins and stiff girders at the top of the façades. Each of the horizontal cable trusses supporting the roof resists vertical loads via the curvature of the cables. The trusses are anchored to the hall's massive steel substructure at the north end and to the 20" diameter sloped pipe mast columns at the south façade. The pipe masts at the south façade are anchored to the ground with 4" diameter tie rods. The façade glazing is supported by a series of vertical cable trusses. The cables used in the atrium are galvanized and vary in diameter from 40mm to 70mm.

Glazing

ECG + PSG + CCG: The skylight glazing utilizes Novum's stainless-steel edge clamps while the façade glazing utilizes Novum's stainless-steel corner clamps with point supports at just the southeast and southwest corners. The skylight is glazed with clear insulated/laminated glass with low-E coating on the #2 surface and ceramic frit on the #4 surface. The façade glazing is the same as the skylight but with a ceramic frit that gradually increases in density with elevation.



Design Solution

Novum engineered, fabricated, and installed this elegant mixture of glass, steel, and tension elements that functions as an atrium but also as a piece of architectural art. The Kauffman Center of the Performing Arts features two large performance halls that empty into a giant foyer created by the glazed tension structure. Spanning 319 feet in the length and over 70 feet in height, this incredibly complex yet lightweight structure shows the power of system integration and has made the Kauffman Center a true landmark in Kansas City, MO.

